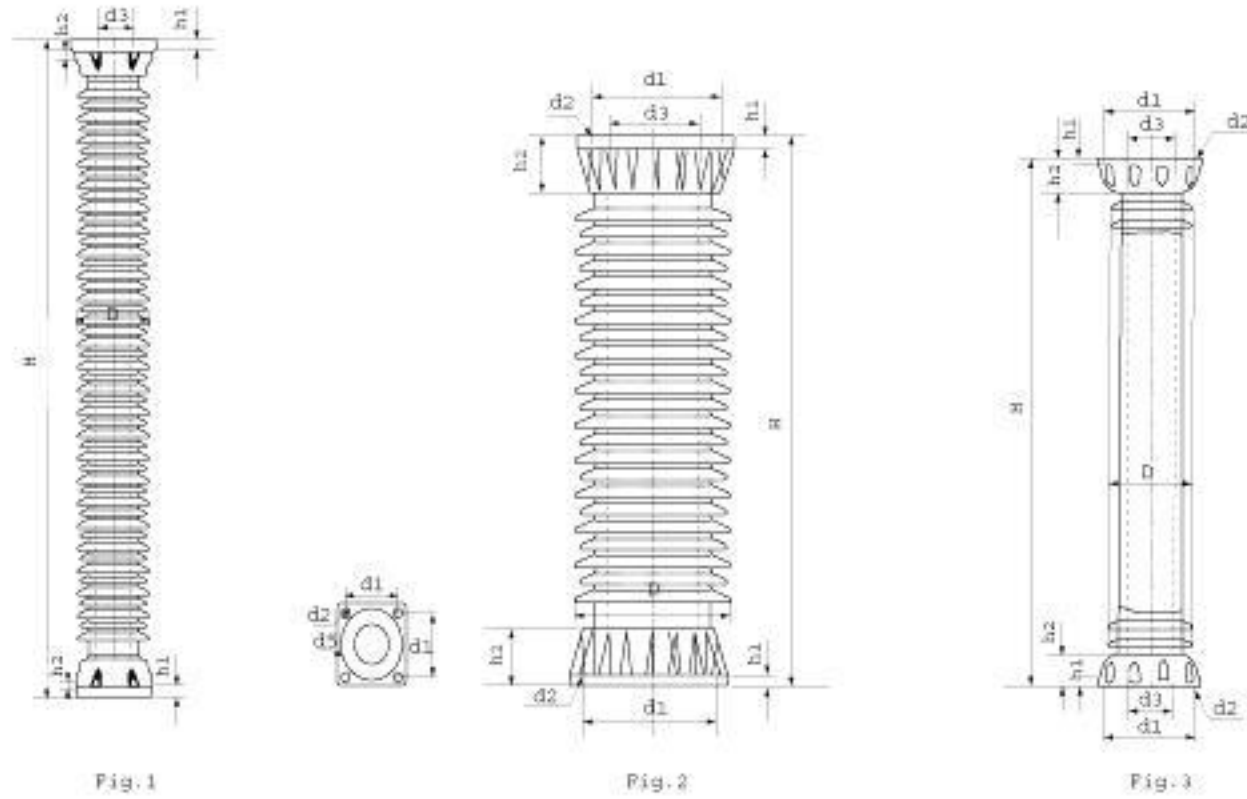
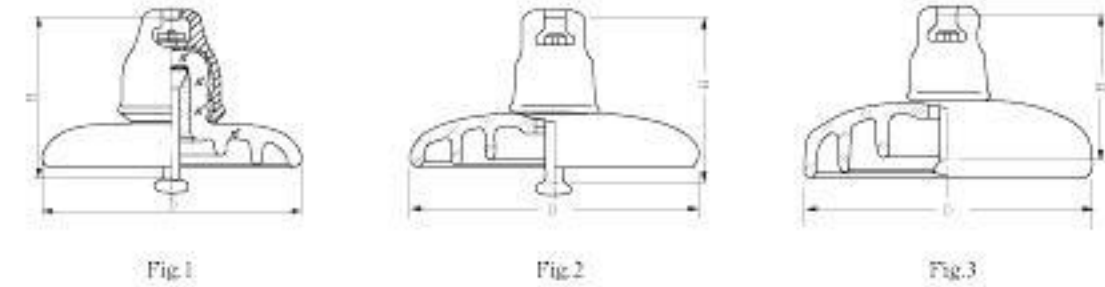
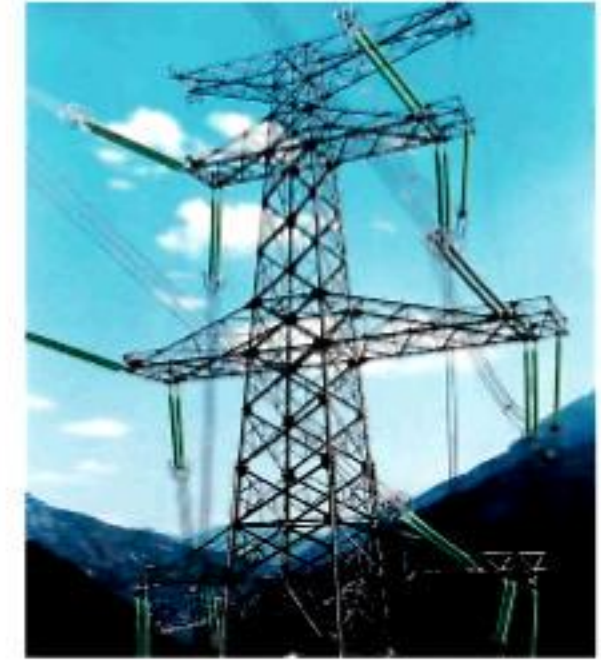


电容器瓷套
CAPACITOR CERAMIC BUSHING



产品代号 Cat. No.	图号 Fig.	额定电压 Rated voltage kV	公称爬电距离 Creepage distance mm	弯曲破坏力矩 Bending failing Load kN.m	主要尺寸 Main dimension mm								伞数 Shed No.	重量 Weight kg	执行标准 Applicable standard	
					H	h1	h2	D	d1	d2	d3	d4				d5
41807	1	220	5705	-	2355	45	20	320	270	4-φ28	160	275	6-M10	大25小24 Big 25/Small 24	190	GB13026 -91
41808	1	330	4540	-	1700	45	20	310	240	4-φ28	130	250	8-M10	大16小16 Big 16/Small 16	113	
41809	2	500/4	3287	54.9	1400	30	140	475	455	18-φ15	265	-	-	大12小11 Big 12/Small 11	310	
41810	2	500/4	3287	28	1400	30	140	475	455	18-φ15	265	-	-	大12小11 Big 12/Small 11	293	
41811	2	500/3	4537	70	1600	25	140	450	410	8-φ14	220	-	-	-	321	
41812	2	500/3	4583	47	1700	25	135	430	410	16-φ14	220	-	-	大15小15 Big 15/Small 15	224	
41813	3	500/3	5116	47	1700	25	135	420	410	16-φ14	220	-	-	16	183	
41814	2	500/3	4263	56	1440	25	140	495	455	18-φ15	265	-	-	大14小14 Big 14/Small 14	365.4	
41815	2	500/	5156	56	1800	25	140	480	455	18-φ15	265	-	-	大19小18 Big 19/Small 18	418.4	
41816	2	500/3	5050	70	1700	30	140	485	455	18-φ15	265	-	-	大18小17 Big 18/Small 17	375	

TOUGHENED GLASS
INSULATORS OF CAP AND PIN
TYPE



STANDARD TYPE TOUGHENED GLASS SUSPENSION INSULATORS BALL AND SOCKET TYPE

TYPE	IEC Class	Fig.No	Diameter D mm	Spacing H mm	Creepage Distance mm	Coupling Size	Min. Mechanical Failing Load KN	Min. Impact Failing Load N.cm	Min. Lightning Withstand Volt. KV	Power Frequency Withstand Volt. kV			Approx.Net Weight Kg
										Min. Wet One Minute	Min. Dry One Minute	Min. puncture volt.	
LXY-40	U40B	1	175	110	190	11A	40	500	70	33	55	80	2.10
LXY-70	U70BS	2	255	127	320	16	70	565	100	40	70	130	3.70
LXY-70	U70B	1	255	140	320	16	70	565	100	40	70	130	3.77
LXY-70	U70BL	2	255	146	320	16	70	565	100	40	70	130	3.78
LXY-80	U80BL	2	255	146	320	16	80	565	100	40	70	130	3.85
LXY-100	U100BL	2	255	146	320	16	100	678	100	40	70	130	4.10
LXY-100	U100BS	2	255	127	320	16	100	678	100	40	70	130	4.00
LXY-120	U120BS	2	255	146	320	16	120	678	100	40	70	130	4.20
LXY-160	U160BS	3	280	146	400	20	160	1017	105	45	75	130	6.55
LXY-160	U160BL	3	280	170	400	20	160	1017	105	45	75	130	6.60
LXY-210	U210BS	3	280	170	400	20	210	1017	105	45	75	130	6.70
LXY-240	U240BS	3	280	170	400	24	240	1017	105	45	75	130	6.80
LXY-300	U300S	3	320	195	485	24	300	1017	130	50	85	130	10.70
LXY-420	U400S	3	360	205	550	28	420	1017	140	55	90	140	16.00
LXY-530	U530S	3	380	240	600	32	530	1017	140	55	90	140	21.50

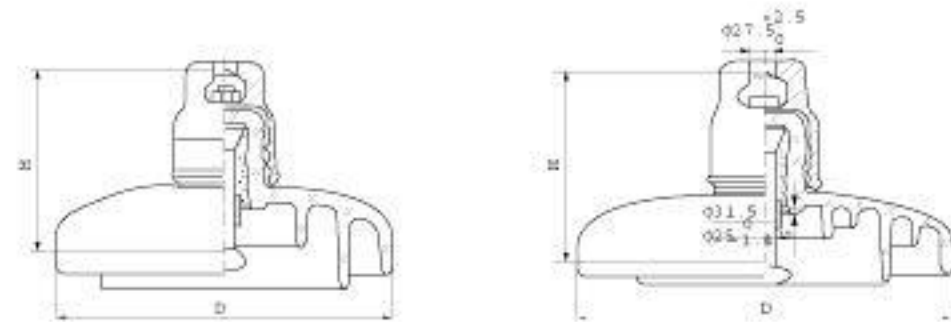


Fig.9

Fig.10

TOUGHENED GLASS SUSPENSION INSULATORS FOR HIGH VOLTAGE DIRECT CURRENT APPLICATIONS

TYPE	Fig.No	Diameter D mm	Spacing H mm	Creepage Distance mm	Coupling Size	Min. Mechanical Failing Load KN	Min. Lightning Impulse Withstand Volt. KV	Min. DC Withstand Volt. Wet One Minute KV	Min. Power Frequency Puncture Volt. KV	Approx. Net Weight Kg
LXZY-160	9	320	170	550	20	160	140	65	130	9.60
LXZY-210	9	320	170	550	20	210	140	65	130	10.0
LXZY-300	10	380	195	635	24	300	150	70	140	14.3
LXZY-400	10	360	205	550	28	400	150	70	140	16.0

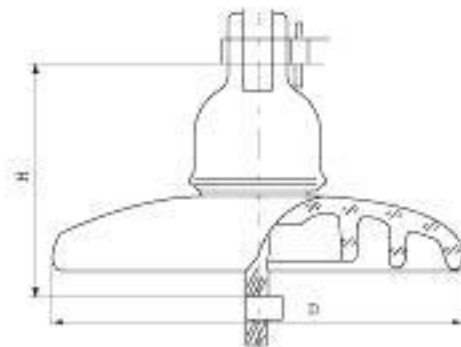


Fig.11

STANDARD TYPE TOUGHENED GLASS SUSPENSION INSULATORS

CLEVIS TYPE

TYPE	IEC Class	Fig.No	Diameter D mm	Spacing H mm	Creepage Distance mm	Coupling Size	Min. Mechanical Failing Load KN	Min. Impact Failing Load N.cm	Min. Lightning Impulse Withstand Volt. KV	Power Frequency Withstand Volt. KV			Approx. Net Weight Kg
										Min. Wet One Minute	Min. Dry One Minute	Min. Puncture volt.	
LXY-40C	U40C	11	175	140	185	11C	40	565	100	33	55	80	2.5
LXY-70C	U70C	11	255	146	320	16C	70	565	100	40	70	130	4.00
LXY-90C	U90C	11	255	146	320	16C	90	565	100	40	70	130	4.10

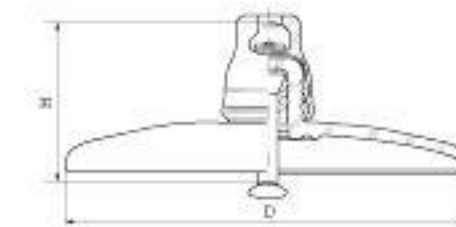


Fig.12

OPEN PROFILE TOUGHENED GLASS SUSPENSION INSULATORS

BALL AND SOCKET TYPE

TYPE	Fig.No	Diameter D mm	Spacing H mm	Creepage Distance mm	Coupling Size	Min. Mechanical Failing Load KN	Min. Impact Failing Load N.cm	Min. Lightning Impulse Withstand Volt. KV	Power Frequency Withstand Volt. KV		Approx. Net Weight Kg
									Min. Wet flashover	Min. Puncture volt.	
LXAY-120	12	390	146	365	16	120	678	100	50	130	5.30
LXAY-160	12	420	146	380	20	160	1017	100	55	130	7.00
LXAY-210	12	420	160	380	20	210	1017	100	55	130	7.47
LXAY-240	12	420	170	380	24	240	1017	100	55	130	7.60

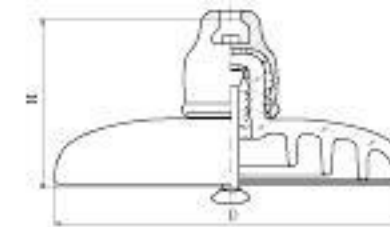


Fig.4

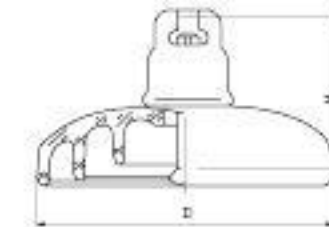


Fig.5

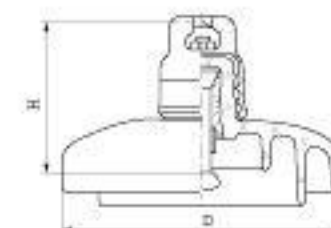


Fig.6

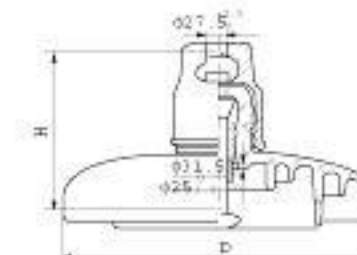


Fig.7

■ LARGE DIAMETER TOUGHENED GLASS INSULATORS

BALL AND SOCKET TYPE

TYPE	IEC Class	Fig.No	Diameter D mm	Spacing H mm	Creepage Distance mm	Coupling Size	Min. Mechanical Failing Load KN	Min. Impact Failing Load N.cm	Min. Lightning Impulse Withstand Volt. KV	Power Frequency Withstand Volt. KV			Approx. Net Weight Kg
										Min. Wet One Minute	Min. Dry One Minute	Min. Puncture volt.	
LXY-70D	U70BSP	4	320	146	450	16	70	565	110	50	85	130	6
LXY-100D	U100BSP	4	320	146	450	16	100	678	110	50	85	130	6.1
LXY-120D	U120BSP	4	320	146	450	16	120	678	110	50	85	130	6.2
LXY-160D	U160BSP	4	320	155	450	20	160	1017	110	50	85	130	7.3
LXY-160D	U160BSP	4	320	170	450	20	160	1017	110	50	85	130	7.4
LXY-210D	U210BSP	4	320	170	485	20	210	1017	120	55	90	130	9.2
LXY-240D	U240BSP	4	320	170	485	24	240	1017	120	55	90	130	9.5

FOG TYPE TOUGHENED GLASS SUSPENSION INSULATORS

BALL AND SOCKET TYPE

TYPE	IEC Class	Fig.No	Diameter D mm	Spacing H mm	Creepage Distance mm	Coupling Size	Min. Mechanical Failing Load KN	Min. Impact Failing Load N.cm	Min. Lightning Impulse Withstand Volt. KV	Power Frequency Volt. kV			Approx.Net Weight Kg
										Min. Wet flashover	Min. Dry flashover	Min. puncture volt.	
LXHY-70	U70BP	5	255	146	400	16	70	565	120	45	95	130	5.20
LXHY5-70	U70BP	5	280	146	450	16	70	565	125	50	95	130	5.30
LXHY-70	U70PLP	6	320	146	550	16	70	565	140	55	100	130	8.10
LXHY-100	U100BP	5	280	146	450	16	100	678	125	50	100	130	5.30
LXHY-120	U120BP	5	255	146	400	16	120	678	125	50	95	130	5.40
LXHY-120	U120BP	5	280	146	450	20	120	678	125	50	95	130	5.50
LXHY-160	U160BP	5	280	170	450	20	160	1017	125	50	95	130	7.00
LXHY5-160	U160BP	6	320	170	550	20	160	1017	140	55	100	130	8.80
LXHY-210	U210BP	6	320	170	550	20	210	1017	140	55	100	130	9.20
LXHY-240	U240BP	6	320	170	550	24	240	1017	140	55	100	130	9.90
LXHY-300	U300BP	7	380	195	635	24	300	1017	155	60	100	130	14.30

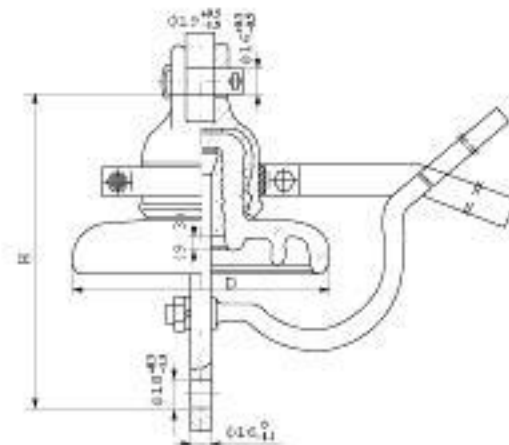


Fig.8

TOUGHENED GLASS INSULATORS USED FOR GROUND WIRE

TYPE	Fig.No	Diameter D mm	Spacing H mm	Creepage Distance mm	Coupling Size	Min. Mechanical Failing Load KN	Min.DC Withstand Volt Wet One Minute	Min.Power Frequency Puncture Volt kV	Approx.Net Weight Kg
LXDY-70CN	8	200	200	217	16	70	45	130	4.7
LXDY-100CN	8	200	200	217	16	100	45	130	4.7

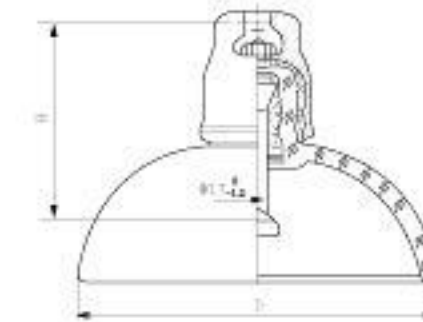


Fig.13

TYPE	Fig.No	Diameter D mm	Spacing H mm	Creepage Distance mm	Coupling Size	Min. Mechanical Failing Load KN	Min. Impact Failing Load N.cm	Min. Lightning Impulse Withstand Volt. KV	Power Frequency Volt. kV		Approx.Net Weight Kg
									Min. Wet flashover	Min. puncture volt.	
LXQY-70	13	255	146	305	16A/16B	70	565	100	45	130	4.00
LXQY-80	13	255	146	305	16A/16B	80	565	100	45	130	4.00
LXQY-120	13	255	146/170	305	16A/16B	120	678	100	45	130	4.10

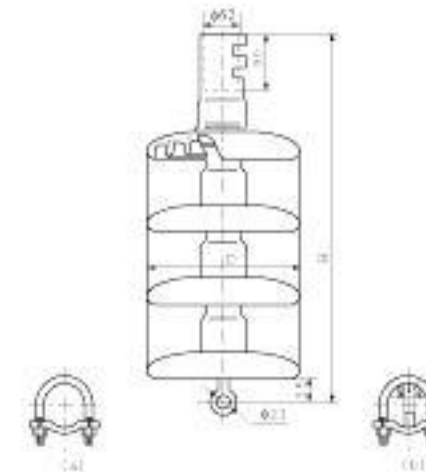


Fig.14

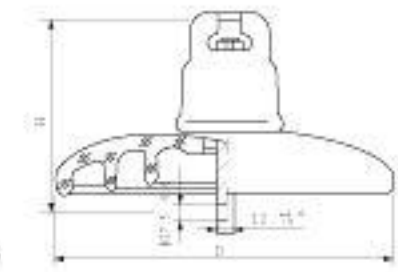


Fig.15

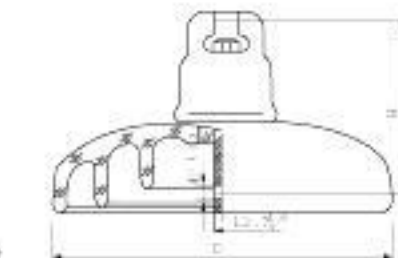


Fig.16

TOUGHENED GLASS ROD INSULATORS FOR RAILWAYS

TYPE	Fig.No	Diameter D mm	Spacing H mm	Creepage Distance mm	Min.Mechanical Failing Load KN		0.32mg/cm ² Salt Deposit Density Min.Pollution Flashover Volt. kV	Min.Lightning Impulse Withstand Volt. KV	Power Frequency Volt. kV		Approx.Net Weight Kg
					Bending	Tension			Min. Wet flashover	Min. puncture volt.	
LQBN ₂ -25D	14	255	610	1260	4	70	31.5	300	150	N/A	17.3
LQJN ₂ -25D	14	255	610	1260	4	70	31.5	300	150	N/A	17.3
LXY-70T	15	255	146	320	N/A	70	N/A	100	40	10	3.77
LXHY-70T	16	255	146	400	N/A	70	N/A	120	45	120	4.80